



PRODUCTS CATALOG

ELECTRICAL ENCLOSURES & MODULAR CABINETS



20

exmweb.com

NEMA 4-12 ENCLOSURES

5412 ESDG

DOUBLE GASKETED WATER, OIL & DUST TIGHT ENCLOSURES

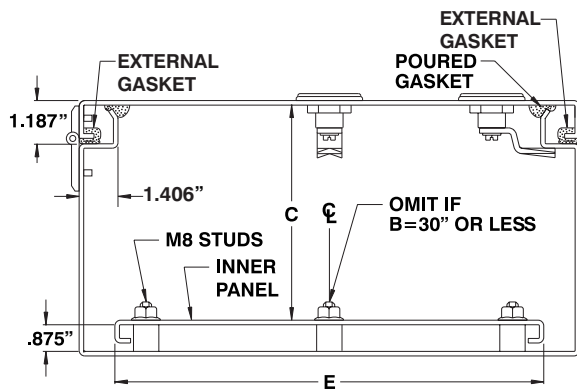
The 5412 ESDG double gasket, water, oil & dust tight enclosures are used outdoors or indoors in areas where the enclosures may be subject to hosing or water coming from any direction, or for protection against dust, dirt or oil splashing. The 5412 ESDG are made of high quality 14 GA or 16 GA steel, with continuously welded corner seams. The opening has a curled lip around all sides to increase rigidity and prevent dripping water from entering the enclosure when the cover has

been opened. A double gasket system, consisting of an external gasket that acts as a front line barrier against liquids, works in conjunction with the internal, high quality robotically poured-in-place, seamless gasket to ensure a complete and durable water tight seal. Quarter turn locking mechanisms on all sides ensure positive closing. Internal mounting holes are provided. **Each enclosure comes complete with a 12 GA galvanized inner panel,** which is double

bent* for maximum rigidity and mounts on M8 welded studs. Enclosures are finished with heat fused powder paint, electrostatically applied on a pretreated base. Box is ANSI/ASA 61 smooth gray.

**CSA Certified / UL Listed
NEMA/EEMAC 4-12 / IP66**

Refer to p.734 to validate choice of substrate for the application



CATALOG NUMBER	DIMENSIONS					SHIP WGHT LBS.
	A	B	C	D	E	
5412 ESDG121206	12	12	6	10	10	19
5412 ESDG122406	12	24	6	10	22	35
5412 ESDG161206	16	12	6	14	10	24
5412 ESDG161606	16	16	6	14	14	31
5412 ESDG162006	16	20	6	14	18	37
5412 ESDG201206	20	12	6	18	10	29
5412 ESDG201606	20	16	6	18	14	37
5412 ESDG202006	20	20	6	18	18	45
5412 ESDG202406	20	24	6	18	22	53
5412 ESDG241206	24	12	6	22	10	35
5412 ESDG241606	24	16	6	22	14	44
5412 ESDG242006	24	20	6	22	18	53
5412 ESDG242406	24	24	6	22	22	62
5412 ESDG301606	30	16	6	28	14	53
5412 ESDG302006	30	20	6	28	18	65
5412 ESDG302406	30	24	6	28	22	76
5412 ESDG362406	36	24	6	34	22	90
5412 ESDG363006	36	30	6	34	28	109
5412 ESDG122408	12	24	8	10	22	38
5412 ESDG161208	16	12	8	14	10	27
5412 ESDG161608	16	16	8	14	14	34
5412 ESDG162008	16	20	8	14	18	41
5412 ESDG201208	20	12	8	18	10	33
5412 ESDG201608	20	16	8	18	14	41
5412 ESDG202008	20	20	8	18	18	49
5412 ESDG202408	20	24	8	18	22	57
5412 ESDG241208	24	12	8	22	10	38
5412 ESDG241608	24	16	8	22	14	48
5412 ESDG242008	24	20	8	22	18	57
5412 ESDG242408	24	24	8	22	22	67
5412 ESDG243008	24	30	8	22	28	81
5412 ESDG301208	30	12	8	28	10	46
5412 ESDG301608	30	16	8	28	14	58
5412 ESDG302008	30	20	8	28	18	70
5412 ESDG302408	30	24	8	28	22	81
5412 ESDG303008	30	30	8	28	28	98
5412 ESDG303608	30	36	8	28	34	116
5412 ESDG362408	36	24	8	34	22	95
5412 ESDG363008	36	30	8	34	28	116
5412 ESDG363608	36	36	8	34	34	136
5412 ESDG422408	42	24	8	40	22	110
5412 ESDG423008	42	30	8	40	28	133



p.506



p.506



p.524



p.554



p.552

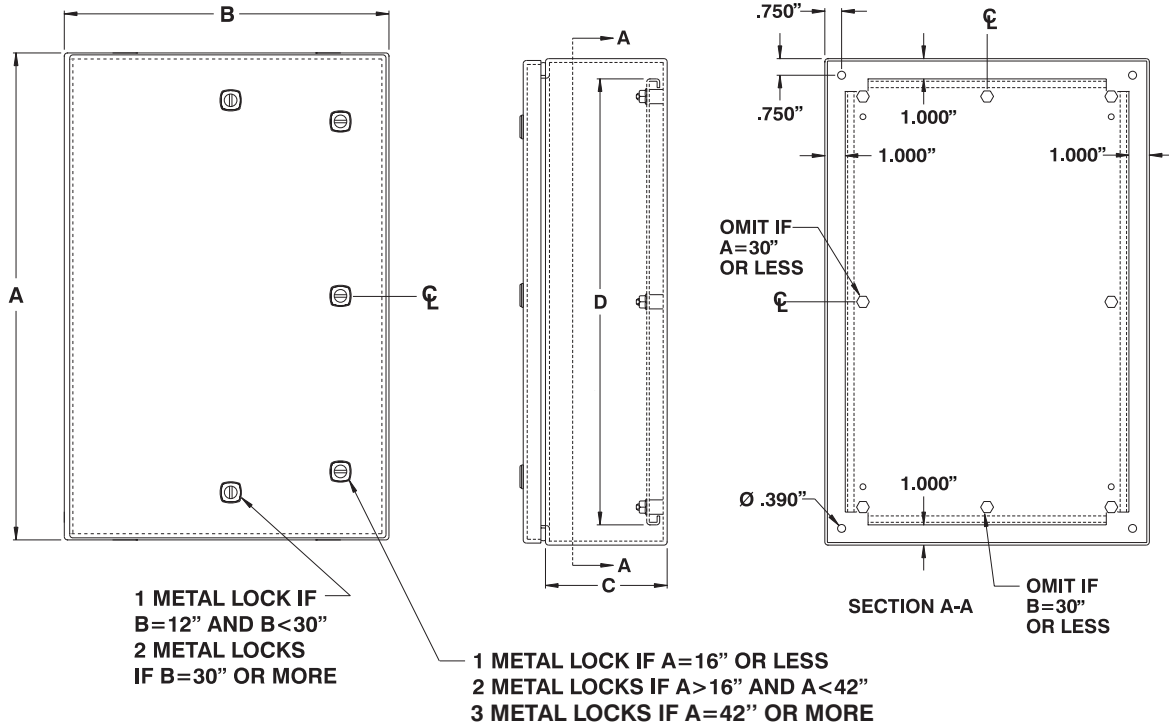


p.524



p.538

DOUBLE GASKETED WATER, OIL & DUST TIGHT ENCLOSURES



CATALOG NUMBER	DIMENSIONS					SHIP WGT LBS.
	A	B	C	D	E	
5412 ESDG423608	42	36	8	40	34	156
5412 ESDG482408	48	24	8	46	22	124
5412 ESDG483008	48	30	8	46	28	150
5412 ESDG483608	48	36	8	46	34	177
5412 ESDG603608	60	36	8	58	34	218
5412 ESDG161210	16	12	10	14	10	30
5412 ESDG201610	20	16	10	18	14	44
5412 ESDG202010	20	20	10	18	18	53
5412 ESDG241210	24	12	10	22	10	42
5412 ESDG242010	24	20	10	22	18	62
5412 ESDG242410	24	24	10	22	22	71
5412 ESDG302010	30	20	10	28	18	74
5412 ESDG302410	30	24	10	28	22	86
5412 ESDG362410	36	24	10	34	22	101
5412 ESDG363010	36	30	10	34	28	122
5412 ESDG423010	42	30	10	40	28	140
5412 ESDG423610	42	36	10	40	34	164
5412 ESDG483010	48	30	10	46	28	158
5412 ESDG483610	48	36	10	46	34	185
5412 ESDG603610	60	36	10	58	34	227
5412 ESDG201612	20	16	12	18	14	48
5412 ESDG202012	20	20	12	18	18	57
5412 ESDG202412	20	24	12	18	22	66
5412 ESDG242012	24	20	12	22	18	66
5412 ESDG242412	24	24	12	22	22	76
5412 ESDG302412	30	24	12	28	22	92
5412 ESDG303012	30	30	12	28	28	110
5412 ESDG362412	36	24	12	34	22	107

CATALOG NUMBER	DIMENSIONS					SHIP WGT LBS.
	A	B	C	D	E	
5412 ESDG363012	36	30	12	34	28	129
5412 ESDG363612	36	36	12	34	34	150
5412 ESDG422412	42	24	12	40	22	118
5412 ESDG423012	42	30	12	40	28	147
5412 ESDG423612	42	36	12	40	34	172
5412 ESDG482412	48	24	12	46	22	138
5412 ESDG483612	48	36	12	46	34	193
5412 ESDG602412	60	24	12	58	22	169
5412 ESDG603612	60	36	12	58	34	236
5412 ESDG723012	72	30	12	70	28	240
5412 ESDG723612	72	36	12	70	34	279
5412 ESDG242016	24	20	16	22	18	74
5412 ESDG242416	24	24	16	22	22	86
5412 ESDG302416	30	24	16	28	22	102
5412 ESDG362416	36	24	16	34	22	119
5412 ESDG363016	36	30	16	34	28	142
5412 ESDG423616	42	36	16	40	34	187
5412 ESDG483616	48	36	16	46	34	210
5412 ESDG603616	60	36	16	58	14	255
5412 ESDG723016	72	30	16	70	28	260
5412 ESDG723616	72	36	16	70	34	301
5412 ESDG302420	30	24	20	28	22	113
5412 ESDG363020	36	30	20	34	28	155
5412 ESDG483620	48	36	20	46	34	226
5412 ESDG603620	60	36	20	58	34	274
5412 ESDG723020	72	30	20	70	28	280
5412 ESDG302424	30	24	24	28	22	123
5412 ESDG723024	72	30	24	70	28	300

* Only panels with sides 20" or more are double bent.

Insulated box? To have your enclosure insulated, add suffix "TH"

i.e.: 5412 ESDG121206TH ← Insulated steel enclosure

